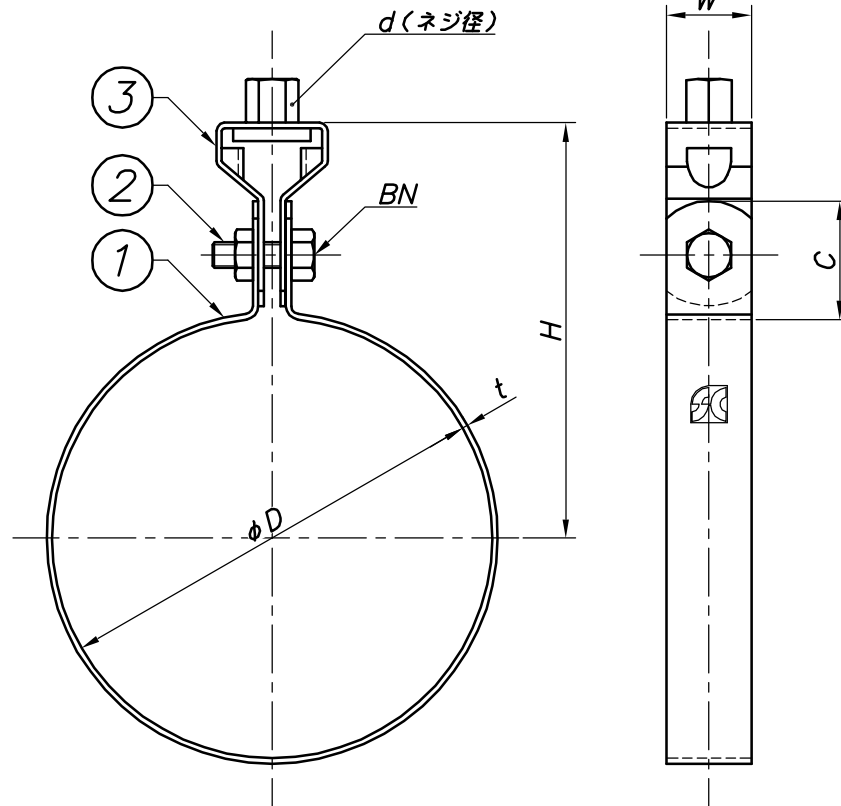


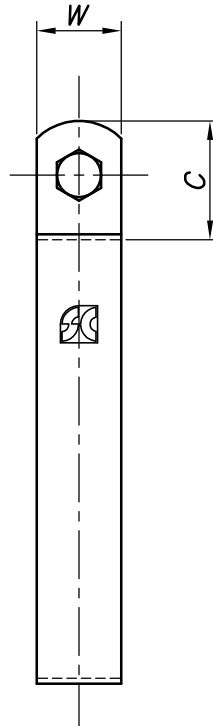
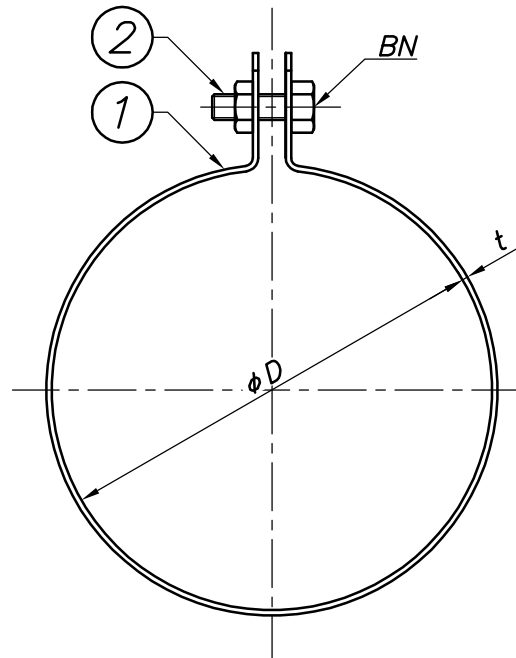
| 改訂回数 | 日付       | 記事   | 担当  |
|------|----------|------|-----|
| 1    | 12/09/20 | 仕様変更 | 津久井 |



| 型番         | 呼び径 | 外径  | W   | t   | d    | BN | C  | H   |
|------------|-----|-----|-----|-----|------|----|----|-----|
|            | A   | φD  |     |     |      |    |    |     |
| Z-LHT75SP  | 75  | 78  | 25  | 1.6 | W3/8 | M6 | 32 | 97  |
| Z-LHT100SP | 100 | 103 |     |     |      |    |    | 110 |
| Z-LHT125SP | 125 | 128 |     |     |      |    |    | 122 |
| Z-LHT150SP | 150 | 153 |     |     |      |    |    | 135 |
| Z-LHT175SP | 175 | 178 |     |     |      |    |    | 147 |
| Z-LHT200SP | 200 | 203 |     |     |      |    |    | 160 |
| Z-LHT225SP | 225 | 228 |     |     |      |    |    | 173 |
| Z-LHT250SP | 250 | 253 |     | 185 |      |    |    |     |
| Z-LHT275SP | 275 | 278 |     | 198 |      |    |    |     |
| Z-LHT300SP | 300 | 303 |     | 210 |      |    |    |     |
| Z-LHT325SP | 325 | 328 |     | 223 |      |    |    |     |
| Z-LHT350SP | 350 | 353 |     | 236 |      |    |    |     |
| Z-LHT375SP | 375 | 378 |     | 248 |      |    |    |     |
| Z-LHT400SP | 400 | 403 |     | 260 |      |    |    |     |
| Z-LHT425SP | 425 | 428 | 273 |     |      |    |    |     |
| Z-LHT450SP | 450 | 453 | 285 |     |      |    |    |     |
| Z-LHT475SP | 475 | 478 | 298 |     |      |    |    |     |
| Z-LHT500SP | 500 | 503 | 310 |     |      |    |    |     |

| 3         | タンバックル   | 鋼製 |             | 溶融亜鉛メッキ                               |
|-----------|----------|----|-------------|---------------------------------------|
| 2         | ボルト・ナット  | 鋼製 |             | 溶融亜鉛メッキ                               |
| 1         | バンド      | 鋼製 |             | 溶融亜鉛メッキ                               |
| 照合符号      | 名称       | 材料 | 数量          | 摘要                                    |
| 日付        | 10/04/01 | 縮尺 | NONE        | 形式                                    |
| 承認        | 審査       | 担当 |             | 75A~500A                              |
|           |          |    |             | 図名 溶融亜鉛メッキ<br>LHT 提灯式ハイル吊バンド 付<br>標準図 |
| 部門:       |          |    | 図番          |                                       |
| 株式会社 昭和三洋 |          |    | STD-122-109 | 1                                     |

| 改訂回数 | 日付 | 記事 | 担当 |
|------|----|----|----|
|      |    |    |    |



| 型番        | 呼び径 | 外径       | W   | t   | BN | C  |
|-----------|-----|----------|-----|-----|----|----|
|           | A   | $\phi D$ |     |     |    |    |
| Z-LH75SP  | 75  | 78       | 25  | 1.6 | M6 | 32 |
| Z-LH100SP | 100 | 103      |     |     |    |    |
| Z-LH125SP | 125 | 128      |     |     |    |    |
| Z-LH150SP | 150 | 153      |     |     |    |    |
| Z-LH175SP | 175 | 178      |     |     |    |    |
| Z-LH200SP | 200 | 203      |     |     |    |    |
| Z-LH225SP | 225 | 228      |     |     |    |    |
| Z-LH250SP | 250 | 253      |     |     |    |    |
| Z-LH275SP | 275 | 278      |     |     |    |    |
| Z-LH300SP | 300 | 303      |     |     |    |    |
| Z-LH325SP | 325 | 328      |     |     |    |    |
| Z-LH350SP | 350 | 353      |     |     |    |    |
| Z-LH375SP | 375 | 378      |     |     |    |    |
| Z-LH400SP | 400 | 403      |     |     |    |    |
| Z-LH425SP | 425 | 428      |     |     |    |    |
| Z-LH450SP | 450 | 453      | 3.0 | M8  |    |    |
| Z-LH475SP | 475 | 478      |     |     |    |    |
| Z-LH500SP | 500 | 503      |     |     |    |    |

| 2               | ボルト・ナット | 鋼製       |  | 溶融亜鉛メッキ |
|-----------------|---------|----------|--|---------|
| 1               | バンド     | 鋼製       |  | 溶融亜鉛メッキ |
| 照合符号            | 名称      | 材料       | 数量                                     | 摘要      |
| 日付              | 縮尺      | 形式       |  |         |
| 13/10/01        | NONE    | 75A~500A |  |         |
| 承認              | 審査      | 担当       |  |         |
|                 |         |          | 図名 溶融亜鉛メッキ<br>LH 提灯式ハイル吊バンド 勿無し<br>標準図 |         |
| 部門:             |         |          | 図番                                     |         |
| 株式会社 昭和コーポレーション |         |          | STD-112-111                            | 0       |