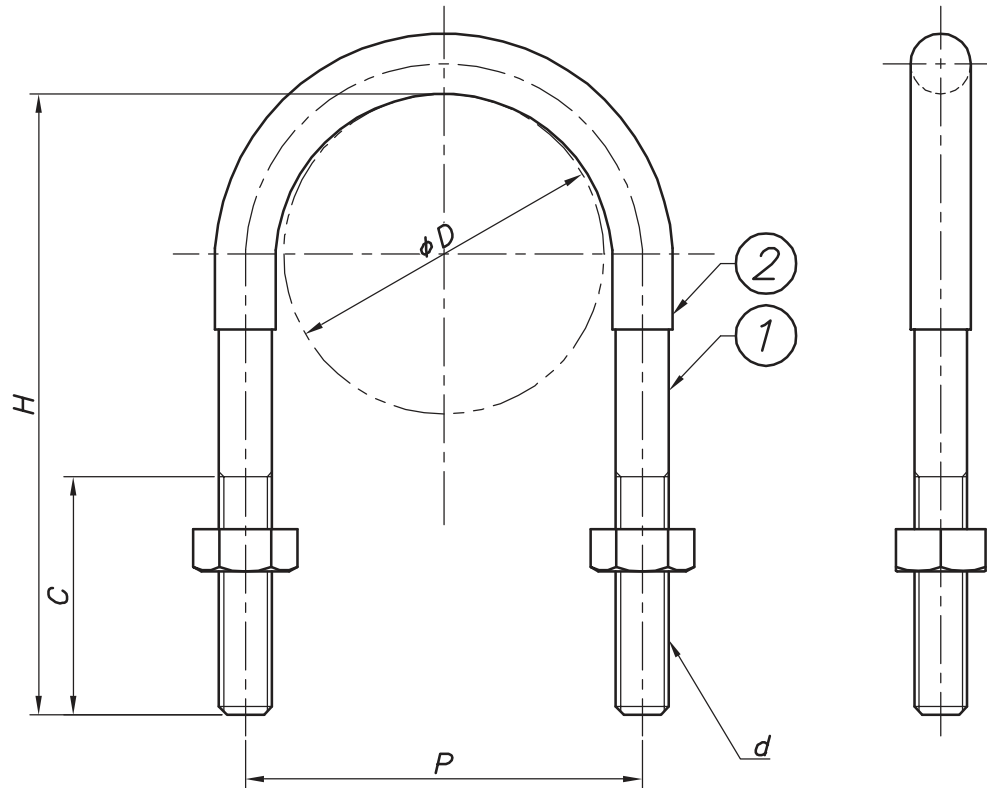


| 改訂回数 | 日付 | 記事 | 担当 |
|------|----------|------|-----|
| 1 | 12/09/20 | 仕様変更 | 津久井 |



| 型番 | 呼び径 | | 外径 φD | P | H | C | d |
|-------------------|-----|-------|----------|-----|-----|----|------|
| | SU | A | | | | | |
| S-UBN13suL30SS-G | 13 | | 15.88 | 28 | 70 | 35 | W3/8 |
| S-UBN20suL30SS-G | 20 | | 22.22 | 34 | 76 | | |
| S-UBN25suL30SS-G | 25 | | 28.58 | 40 | 81 | | |
| S-UBN30suL30SS-G | 30 | (25) | 34.0 | 46 | 89 | | |
| S-UBN40suL30SS-G | 40 | (32) | 42.7 | 56 | 96 | | |
| S-UBN50suL30SS-G | 50 | (40) | 48.6 | 62 | 104 | | |
| S-UBN60suL30SS-G | 60 | (50) | 60.5 | 74 | 115 | | |
| S-UBN75suL30SS-G | 75 | (65) | 76.3 | 88 | 137 | | 55 |
| S-UBN80suL30SS-G | 80 | (80) | 89.1 | 101 | 147 | | |
| S-UBN100suL30SS-G | 100 | (100) | 114.3 | 126 | 175 | | 65 |
| S-UBN125L30SS-G | | 125 | 139.8 | 154 | 205 | | |
| S-UBN150L30SS-G | | 150 | 165.2 | 182 | 230 | | |

| 2 | コーティング | 軟質塩ビ | | |
|-----------|----------|---------|------|--|
| 1 | Uボルト | SUS 304 | | |
| 照合符号 | 名称 | 材料 | 数量 | 摘要 |
| 日付 | 10/04/01 | 縮尺 | NONE | 形式 |
| 承認 | 審査 | 担当 | | 13SU~100SU 25A~150A |
| 部門: | | | | 図名 |
| 株式会社 昭和公司 | | | | ステンレス製 UB SSデッブ足長Uボルト(足長+30) 標準図 |
| | | | | 図番 |
| | | | | STD-141-126 |
| | | | | 1 |